

FEED AND BIOFUEL
**EXPANSION CONTROL
SYSTEM**
TYPE ECS

The unique expansion control system for accurate control of expansion/density of the extruded product. ANDRITZ can provide you with a

striking tool to improve the product's functional properties and enable you to make significant savings in the production process.

The patented ECS expansion control system is the only reliable system for accurate control of expansion in any extruded product.

ANDRITZ

ENGINEERED SUCCESS

ECS FEATURES

- Increased capacity by 15–50%
- Full control of product density
- Less demands on raw material quality
- Parameters inhibiting expansion are not required
- Minimized use of liquid additives
- Accurate bulk density control

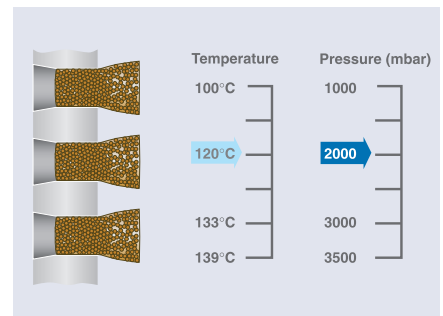
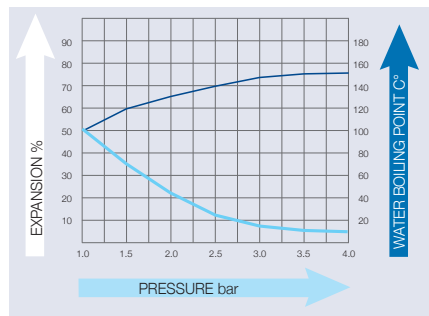
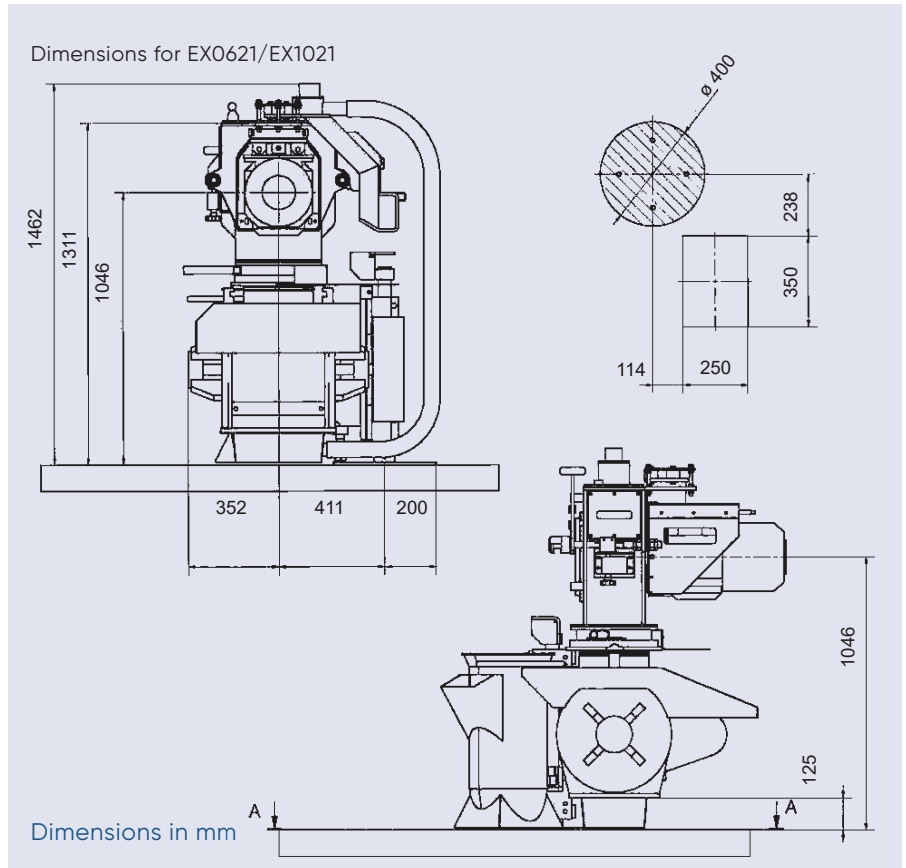
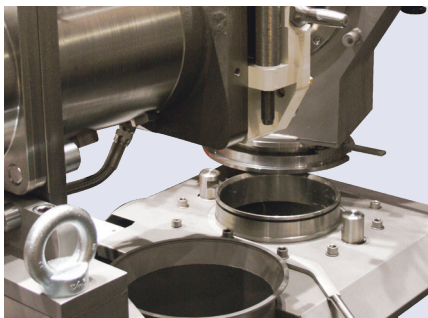
FUNCTION

ECS operates by controlling the die plate exit pressure. The pressure inside the knife housing, where water from the product evaporates, is controlled accurately.

By regulating the pressure in the knife housing, the water boiling point can be controlled, thus making expansion and desired product densities are easy to adjust.

The automated, hinged alignment system allows the ECS to be connected up during production within just a few seconds.

The fully automated system needs only a pressure setpoint, then the requested expansion and product density are quickly obtained.



TECHNICAL DATA

Extruder knife

Motor power 5.5 kW 7.5 HP

Rotary valve

Motor power 2.2 kW 3.0 HP

Compressed air 200 m³/h

ANDRITZ Feed and Biofuel A/S

andritz-fb.dk@andritz.com

p: +45 72 160 300 / andritz.com/ft



All data, information, statements, photographs and graphic illustrations in this leaflet are without any obligation and raise no liabilities to or form part of any sales contracts of ANDRITZ AG or any affiliates for equipment and/or systems referred to herein. © ANDRITZ AG 2018. All rights reserved. No part of this copyrighted work may be reproduced, modified or distributed in any form or by any means, or stored in any database or retrieval system, without the prior written permission of ANDRITZ AG or its affiliates. Any such unauthorized use for any purpose is a violation of the relevant copyright laws. ANDRITZ AG, Stattegger Strasse 18, 8045 Graz, Austria.

